

## DESCRIPTION

- Multilingual calendar, SMD LED technology for indoor installation.
- Hours, minutes, seconds, date, day and week display.
- Height of digits (first line) 10 cm (seconds: 7 cm) and height of letters (second line) 7 cm, optimal viewing distance: 40 metres.
- Angle of vision: 120°.
- LED colours: red, green, yellow, blue and white.
- Models: independent, impulse, wireless ALS, wireless DCF, wireless DHF, AFNOR and NTP.



## STANDARDS

- EMC: - EN55032.  
- EN55024.
- LVD: EN60950.
- RED (radio models): EN301-489-3.

## GENERAL FEATURES

- **Adjustable brightness**..... 4 levels.
- **Display mode**..... 12 or 24 hour.
- **Eco mode**..... Programmable energy saving or predefined over a time period.
- **Time change**..... Automatic summer/winter time changeover and perpetual calendar.
- **Time base backup**.....
  - Independent model: 15 days in case of power failure.
  - Impulse model: in case of power failure, data saving and impulses reception without battery.
  - Synchronised models: at each start the clocks wait for the synchronisation signal.
- **Time accuracy**..... 0.2 second/day (except NTP model: precision dependent on the time server).
- **Operation**..... Silent.
- **Digit**..... 7 segments with 5 LEDs each.
- **Hours and minutes separating**..... Colon made of LEDs.
- **Configuration**..... 2 buttons.
- **NTP model**.....
  - Synchronisation unicast, multicast and by DHCP.
  - Advanced configuration from the embedded web server.

## MECHANICAL FEATURES

- **Construction**..... ABS/PMMA black (IP30, IK02) and PPMA Poly (methyl methacrylate) cristal.
- **Operating temperature range**..... -5 to +55°C.
- **Weight**..... 4 Kg.
- **Dimensions**..... See on the back.

## ELECTRICAL FEATURES

- **Power supply**.....
  - Independent, impulse, AFNOR and wireless DHF models: 100-240VAC.
  - Wireless ALS, DCF models: 230VAC.
  - NTP model: PoE (Power over Ethernet) – class 0.
- **Consumption max**..... 12 W.
- **Electric protection**..... NTP model: Class 3.  
Other Synchronisations: Class 2.

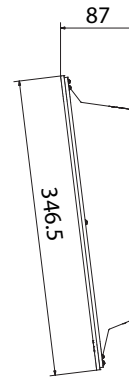
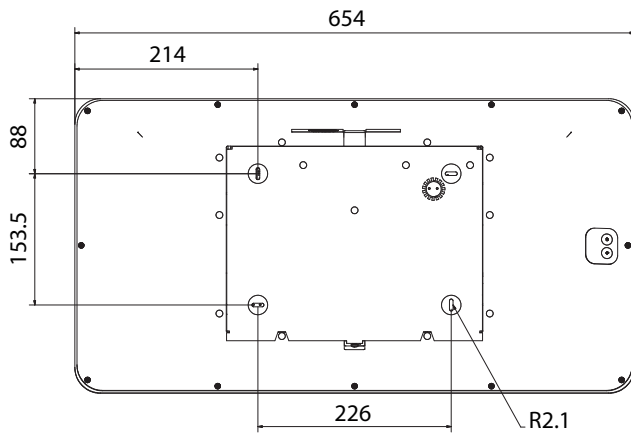
## STYLE 10 SD REFERENCES (BY SYNCHRONISATION)

- |                |                   |                |                             |
|----------------|-------------------|----------------|-----------------------------|
| • 946 A1x..... | Independent model | • 946 007..... | Mounting on hanging bracket |
| • 946 A2x..... | Impulse model     | • 946 008..... | Wall mounting               |
| • 946 AFx..... | ALS model         |                |                             |
| • 946 ADx..... | DCF model         |                |                             |
| • 946 A4x..... | DHF model         |                |                             |
| • 946 A5x..... | AFNOR model       |                |                             |
| • 946 A7x..... | NTP model         |                |                             |

• Specify the LED colour by replacing the "x" in the reference number by: 1: red - 2: green - 3: yellow - 4: blue - 5: white



## WALL MOUNTING



Dimensions in mm

## MOUNTING ON HANGING BRACKET

- The hanging bracket makes possible to hang the clock from the ceiling or from the wall.
- Construction: Steel.
- Colour: Black.

Dimensions in mm

