



Industrial clocks for indoor and outdoor use

METROLINE

An attractive range of clocks in aluminum lightweight housing, conceived in modular design, for impulse, radio-controlled, quartz and self-setting *MOBALine* or IRIG-B clocks.

The most up-to-date technology guarantees reliable functioning and maximum accuracy.

Available as single- and double-sided clocks. The METROLINE double-sided clocks have a rotatable supporting middle piece, which enables various fixing modes by simple 90° turnings, i.e. for wall, ceiling, socket or pole mounting.

The METROLINE - concept



Case types

Single- and double-sided, round clocks. Double-sided models with rotating supporting middle piece with length-adjustable fixing brackets.

Clock dial and hands

White acrylic dial with black printing, available with line marks (type 300) or with Arabic numerals (type 315). Black hour and minute hand, red second hand.

Material and colours

High quality aluminum section, weather-proof, powder coated in white aluminum colour RAL 9006. Other RAL colours optional.

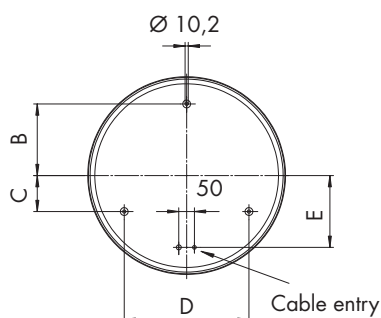
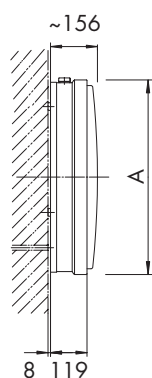
Mounting

Single-sided models available for wall mounting and double-sided with universal fixing possibilities by means of a simple 90° rotation of the supporting middle piece. Choice of wall „WA“, ceiling „DA“, socket „S“ or pole fixation „ZM“.

METROLINE - Single-sided secondary clocks

Round, single-sided, nominal diameter 50, 60, 80 cm. With or without illumination. Light metal housing, colour RAL 9006 white aluminum, powder coated.

Convex acrylic protection glass. White dial with black printing. Simple mounting with case backside part through a 3 point fixation.



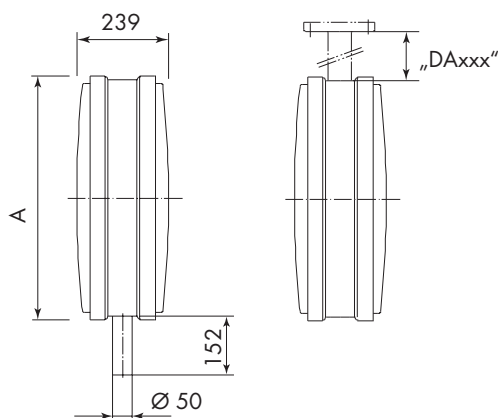
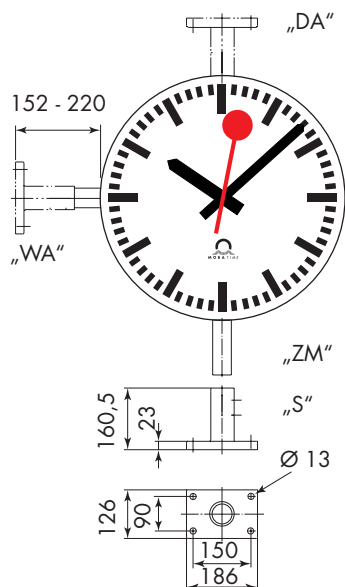
Ø cm	A / B / C / D / E mm	Weight kg
50	534 / 190 / 95 / 330 / 190	6.8
60	634 / 230 / 115 / 400 / 230	8.0
80	834 / 300 / 150 / 520 / 300	11.0

Standard dimensions (mm)

METROLINE - Double-sided secondary clocks

Round, double-sided, nominal diameter 50, 60, 80 cm. With or without illumination. Light metal housing, colour RAL 9006 white aluminum, powder coated.

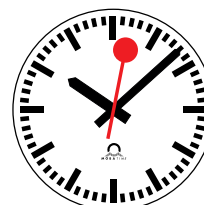
Convex acrylic protection glass. White dial with black printing. Option: Long suspension rod „DAxxx”.



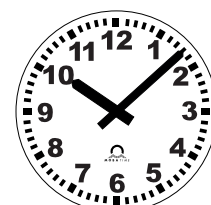
Ø cm	A mm	Weight kg
50	534	12
60	634	14
80	834	18

Standard dimensions (mm)

For all diameters, two different dial types are available



type 300



type 315

METROLINE

Example of ordering
MLB.FWU.50.300.WA

Order reference: **0** . **1** . **2** . **3** . **4** . **5**

Clock type		0
METROLINE, round, single-sided or double-sided, without illumination		ML
METROLINE, round, single-sided or double-sided, with illumination		MLB
Movement type		1
Minute pulse movement NU 90t , 24, 48 or 60 V ¹⁾ switchable	hour / min.	A
Minute pulse movement NU 90t SYN , 24, 48 or 60 V ¹⁾ switchable, with synchronous seconds 230 VAC / 50 Hz	hour / min. / sec.	F
Radio movement FU 192t with external DCF radio receiver unit for self-setting, independent operation. Lithium battery (LIT) not included. See movements series 192	hour / min.	FWU
Radio movement BU 190t 230 incl. external DCF 77 radio receiver unit DCF 450 for self-setting, independent operation. Supplied by 230 VAC / 50-60 Hz	hour / min.	SAA
Radio movement BU 190t S 230 incl. external DCF 77 radio receiver unit DCF 450 for self-setting, independent operation. Second hand continuous or soft step. Supplied by 230 VAC / 50-60 Hz	hour / min. / sec.	SFA
MOBALine-Movement MLU 190t for self-setting slave clocks. Controlled and supplied through MOBALine	hour / min.	SAM
MOBALine-Movement MLU 190t S 48 for self-setting slave clocks. Controlled and supplied through MOBALine. Second hand continuous or soft step	hour / min. / sec.	SFM
MOBALine-Movement MLU 190t S 230 for self-setting slave clocks. Controlled through MOBALine. Second hand continuous or soft step. Supplied by 230 VAC / 50-60 Hz	hour / min. / sec.	SFM 230
Serial Time Code Movement SU 190t 230 for monitored slave clocks. Movements and illumination are controlled via serial protocol over RS. Supplied by 230 VAC / 50-60 Hz or DC	hour / min.	SAS
Serial Time Code Movement SU 190t S 230 for monitored slave clocks. Movements and illumination are controlled via serial protocol over RS. Second hand continuous or soft step. Supplied by 230 VAC / 50-60 Hz or DC	hour / min. / sec.	SFS
Audio frequency-Movement ATBU 190t 230 for self-setting slave clocks. Controlled by audio frequency time code (IRIG-B, AFNOR or DCF-FSK). Supplied by 230 VAC / 50-60 Hz	hour / min.	SAT
Audio frequency-Movement ITBU 190t S 230 for self-setting slave clocks. Controlled by audio frequency time code (IRIG-B, AFNOR or DCF-FSK). Second hand continuous or soft step. Supplied by 230 VAC / 50-60 Hz	hour / min. / sec.	SFT
Self-setting slave clocks controlled by NTP via LAN from a timeserver. Movement supplied by 230 VAC or PoE ²⁾	hour / min.	SAN
Self-setting slave clocks controlled by NTP via LAN from a timeserver. Movement supplied by 230 VAC or PoE ²⁾	hour / min. / sec.	SFN
Quartz movement QU 192t for independent operation. Lithium battery (LIT) not incl. See movements series 192	hour / min.	QU
GPS movement GU 192t for self-setting independent operation. Controlled by GPS, incl. external miniature GPS antenna. Lithium battery (LIT) not included. See movements series 192	hour / min.	GU
Clock dimension		2
Ø 50 cm		50
Ø 60 cm		60
Ø 80 cm		80
Dial type		3
Dial with line marks, type 300		300
Dial with Arabic numerals, type 315		315
Mounting		4
Wall mounting	single-sided	E
Specify mounting with order (default is „DA“): „WA“ wall-, „DA“ ceiling-, „S“ socket-, „ZM“ pole mounting	double-sided	..
Suspension rod 500 mm	double-sided	DA500
Suspension rod 600 mm	double-sided	DA600
Suspension rod 800 mm	double-sided	DA800
Option		5
Special RAL colours		RAL xxxx

¹⁾ Please specify impulse voltage with order

²⁾ PoE (Power over Ethernet) Switch or PoE Injector not included. PoE has to be provided on site!